



**WESEM**



*signalling lamps*

140 x 75

**LA1**

*rear light  
reversing light, fog light*

*universal*

*traditional design*

# Rear reversing and fog lights

## LA1

### Construction and parameters

#### Application

To be mounted on back parts of a vehicle (specially for Fiat 126p).

#### General information

All metal parts are galvanized with a generous zinc coating to ensure corrosion resistance.

#### Detailed information

##### Construction:

- plastic reflector
- plastic lens
- black plastic housing
- bulb holder
- mounting bracket and screws

##### Bulbs

Fit bulb type:

P21W 12V or 24V (BA15s cap)

##### Additional equipment

The wiring harness comes with a sealing ring and is tipped with F2.5 and A2.5 terminals in a connector block.

##### Applications:

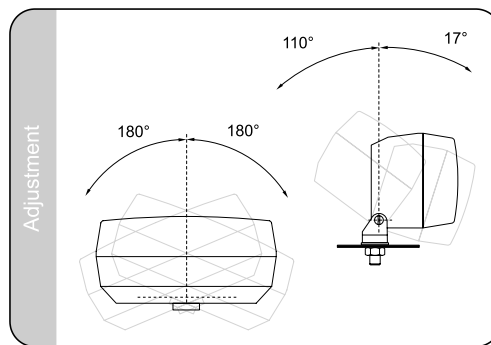
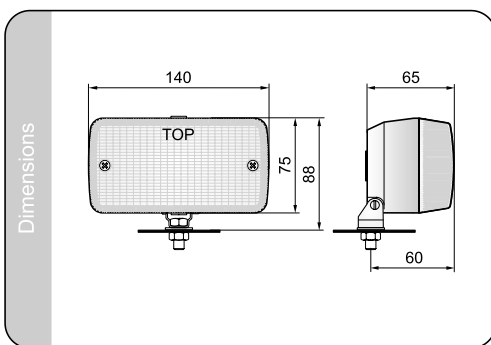
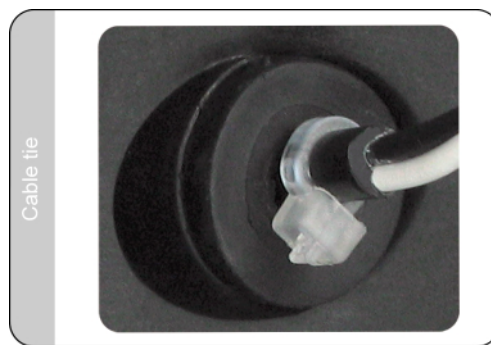
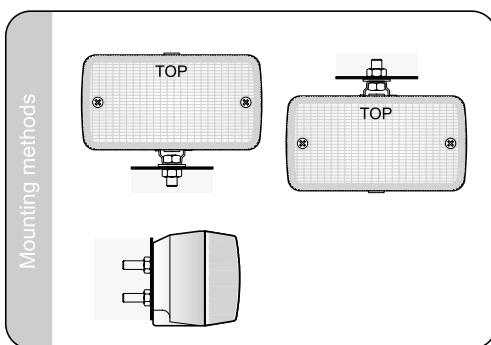
- trailers
- trucks

##### Dedicated application

A - Fiat 126p

Cat. number	Homolog. code	Lamp type		Light function							Accessories				Side			Application		Packaging / pc			
		front	rear	fog light	reversing light	parking light	stop light (main)	direction indicator	number plate illumin.	bulb P21W	bulb P21/5W	bulb PY21W	bulb R5W	bulb R10W	wire	shock absorber connector	AMP connector	right	left	right / left	universal	dedicated	blister pack
LA.02004	010		•	•															•	•	A		1
LA.02205	010		•	•						•				•	•				•	•	A		1
LA.05418	010		•	•															•	•	A	1	
LA.05619	010		•	•						•				•	•				•	•	A	1	
LA.02104	011		•		•														•	•	A		1
LA.02305	011		•		•									•	•				•	•	A		1
LA.05518	011		•		•														•	•	A	1	
LA.05719	011		•		•					•				•	•				•	•	A	1	

Homologation code means identifier of certification number.



Zakład Produkcyjny „WESEM” Sp.J.  
Poland, 32-020 Wieliczka, ul. Grottgera 4  
tel. +48 12 2781295 fax +48 12 2786966  
www.wesem.com, e-mail: biuro@wesem.com

WESEM produces

- headlamps
- additional lamps
- work lamps
- special lamps
- signalling lamps
- bicycle lamps
- accessories



780 4.0